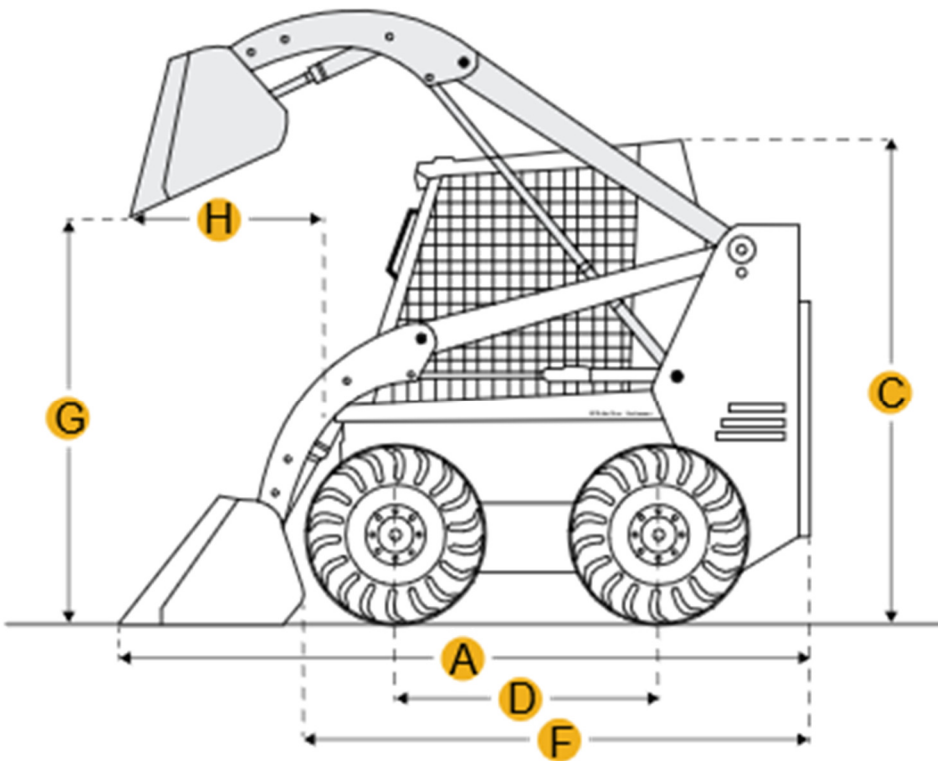
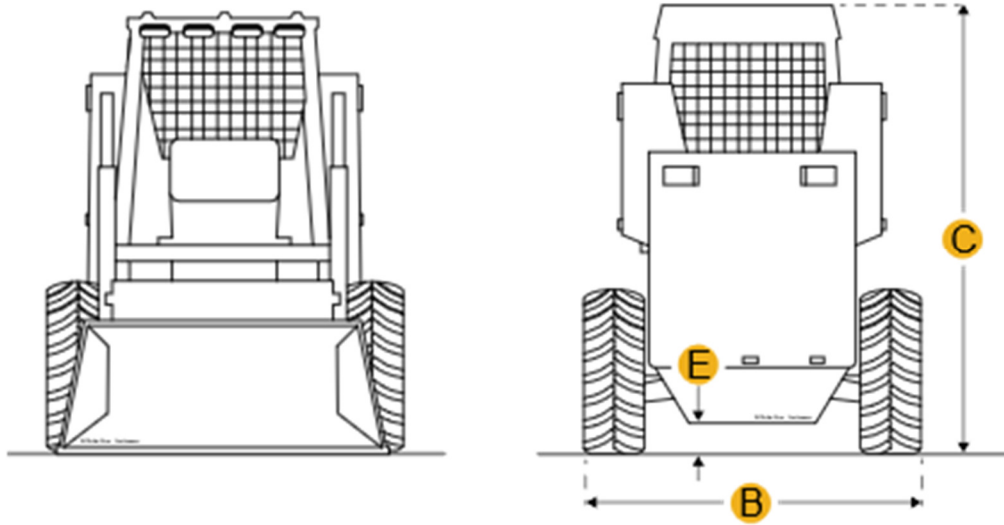


# Bobcat 853 Skid Steer Loader



# Dimensions

## Dimensions

**A**

- **Length with Bucket**
  - 10.71ft in

**B**

- **Width Over Tires**
  - 5.08ft in

**C**

- **Height to Top of Cab**
  - 6.75ft in

**D**

- **Wheelbase**
  - 3.22ft in

**E**

- **Ground Clearance**
  - 8in

**F**

- **Length w/o Bucket**
    - 8.49ft in
- 

# Specifications

## Engine

- **Engine Make**
  - Isuzu
- **Engine Model**
  - 4JB1PK-03

## Operational

- **Operational Weight**
  - 6499.3lb
- **Tire Size**
  - 8.25-15

## Loader

- **Tipping load (ISO 14397)**

- 3419.4lb
- **Bucket Width**
  - 61.5in

## Hydraulic

- **Pump Flow Capacity**
  - 18gal/min

## Dimensions

- **Hinge pin height - fully raised**
  - 119.7in
- **Length with Bucket**
  - 10.8ft in
- **Length w/o Bucket**
  - 8.5ft in
- **Width Over Tires**
  - 5.1ft in
- **Height to Top of Cab**
  - 6.8ft in
- **Wheelbase**
  - 3.3ft in
- **Ground Clearance**
  - 8in